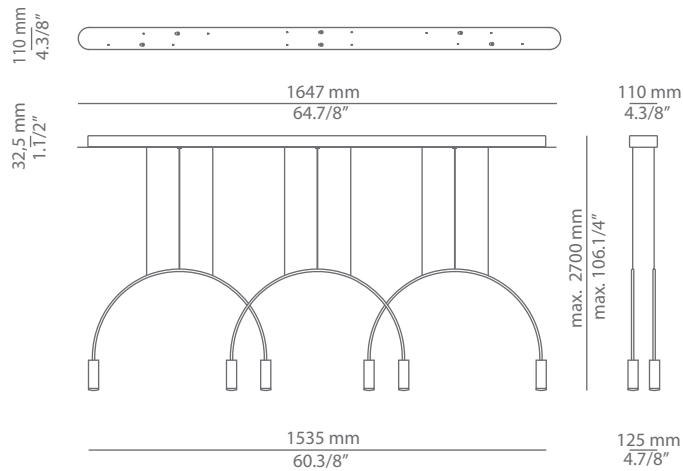


VOLTA T-3535S / T-3536S

linear surface compositions

| | |
|------------------|-----------------|
| Date | Type |
| Project | |
| Location | |
| Model # | Quantity |
| Specifier | |

| Code | Composition includes | Temperature | Canopy | Body | Head |
|------------|---|--|---|---|--|
| ■ L165S.3D | <ul style="list-style-type: none"> 1 linear canopy 113535XX7 3 units of T-3535C 3 drivers / Dimmable Triac | <ul style="list-style-type: none"> T-3535C-W (2700K / 725 lumens) T-3535C-M (3000K / 763 lumens) | <ul style="list-style-type: none"> 26 BLK Black 71 WH White | <ul style="list-style-type: none"> 26 BLK Black 71 WH White CUSTOM | <ul style="list-style-type: none"> 26 BLK Black 61 S GLD Satin Gold 71 WH White CUSTOM |



| Code | Composition includes | Temperature | Canopy | Body | Head |
|----------------|--|--|---|---|--|
| ■ L165S.1T1D1T | <ul style="list-style-type: none"> 1 linear canopy 113535XX7 1 unit of T-3535C 2 units of T-3536C 3 drivers / Dimmable Triac | <ul style="list-style-type: none"> T-3535C-W / T-3536C-W (2700K / 725 lumens) T-3535C-M / T-3536C-M (3000K / 763 lumens) | <ul style="list-style-type: none"> 26 BLK Black 71 WH White | <ul style="list-style-type: none"> 26 BLK Black 71 WH White CUSTOM | <ul style="list-style-type: none"> 26 BLK Black 61 S GLD Satin Gold 71 WH White CUSTOM |

